

MODEL 9050-1-1



Housings & Pedestals

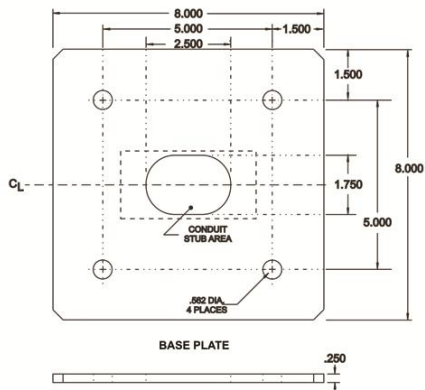
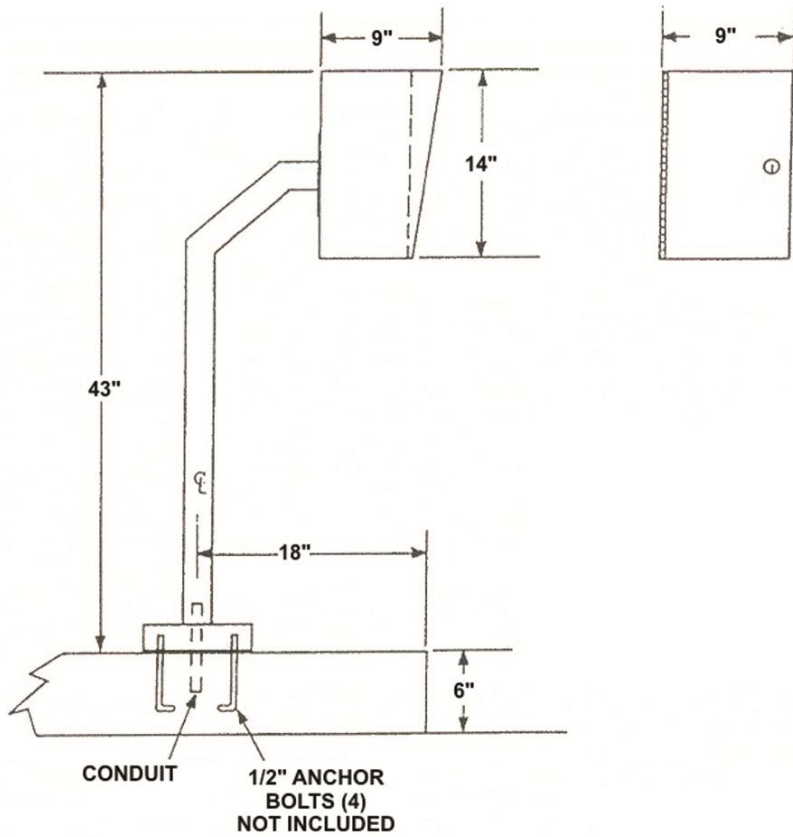


These housings and pedestals are used for the installation of card readers, intercoms and other devices at vehicular and pedestrian access points. Hinged door with cam lock provides both security and ease of access. Standard finish is either white or black powder coat. Model 9050-1-1 includes Model 306-6, 36" tall pedestal and 9050-1BD, 14" H X 9" W housing.



ENGINEERED PARKING SYSTEMS

25010 AVENUE TIBBITTS, VALENCIA, CA 91355
PHONE (661) 294-0778 (800) EPSINFO (377-4636) FAX (661) 294-0674
www.epsinfo.com



ENGINEERED PARKING SYSTEMS

25010 AVENUE TIBBITTS, VALENCIA, CA 91355
 PHONE (661) 294-0778 (800) EPSINFO (377-4636) FAX (661) 294-0674
 www.epsinfo.com