

Ticket Dispenser Specifications:

Cabinet: 11 gauge carbon steel
 Power: 110VAC, 60Hz
 Locks: 2 heavy duty Medeco ® plug locks
 Weight: 200 lbs. (approx.)

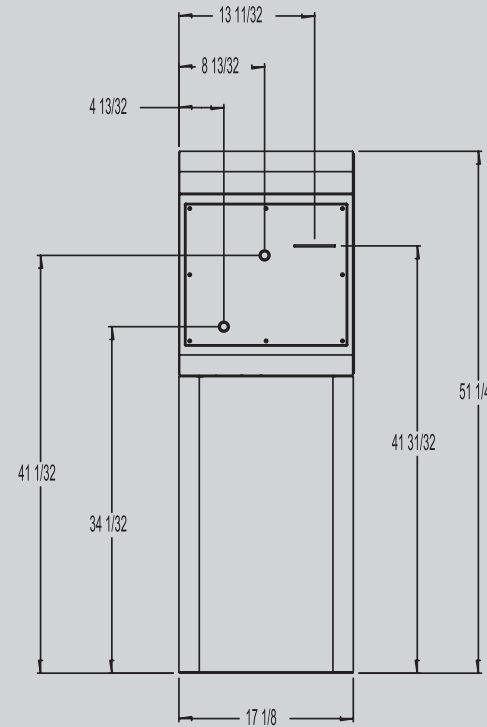
Thermal Paper Specifications:

Paper width 58 to 82.55mm
 Outer diameter of paper roll 228.6 mm (9 in) max.
 Internal diameter of core 32 – 0.3 mm
 Thickness of core 3 mm or more (the paper core must not be deformed)

Recommended Paper Models:

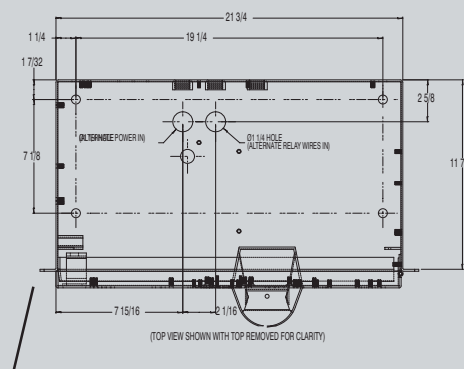
TF50KS-E2C (Nippon Paper)
 AFP235 (Mitsubishi Paper),
 PD160R-N, TO-381N (Oji Paper)
 TC98KS-T1, TC11KS-T1 (Nippon Paper)

Note: In case of a paper roll with a large diameter, the paper core may be deformed due to shocks sustained during transportation. A thickness of 5 mm is recommended.

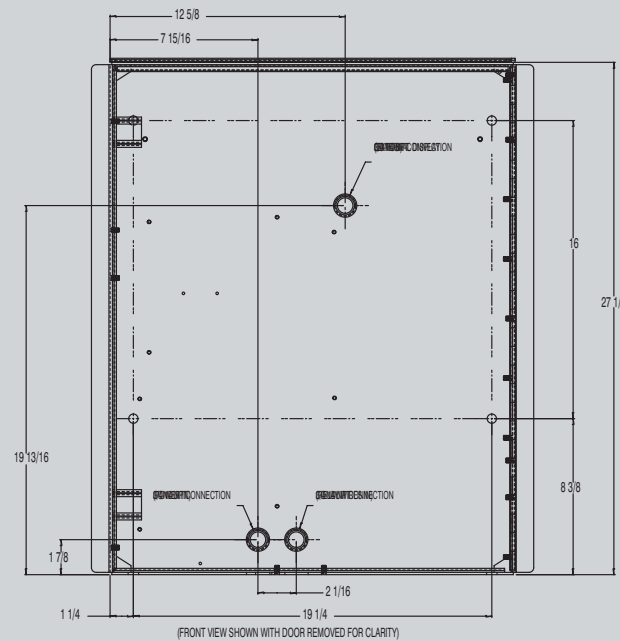


Autocashier Specifications:

Cabinet: 10 gauge stainless steel
 Power: 110VAC, 60Hz
 Door Voltage: 24VAC, DC
 Locks: 2 heavy duty Medeco ® plug locks
 Weight: 200 lbs. (approx.)



* Flange extends 1" from edge of cabinet.
 NOTE: Specifications on drawing subject to change.



For more information contact your local Hamilton Distributor.

ENGINEERED PARKING SYSTEMS

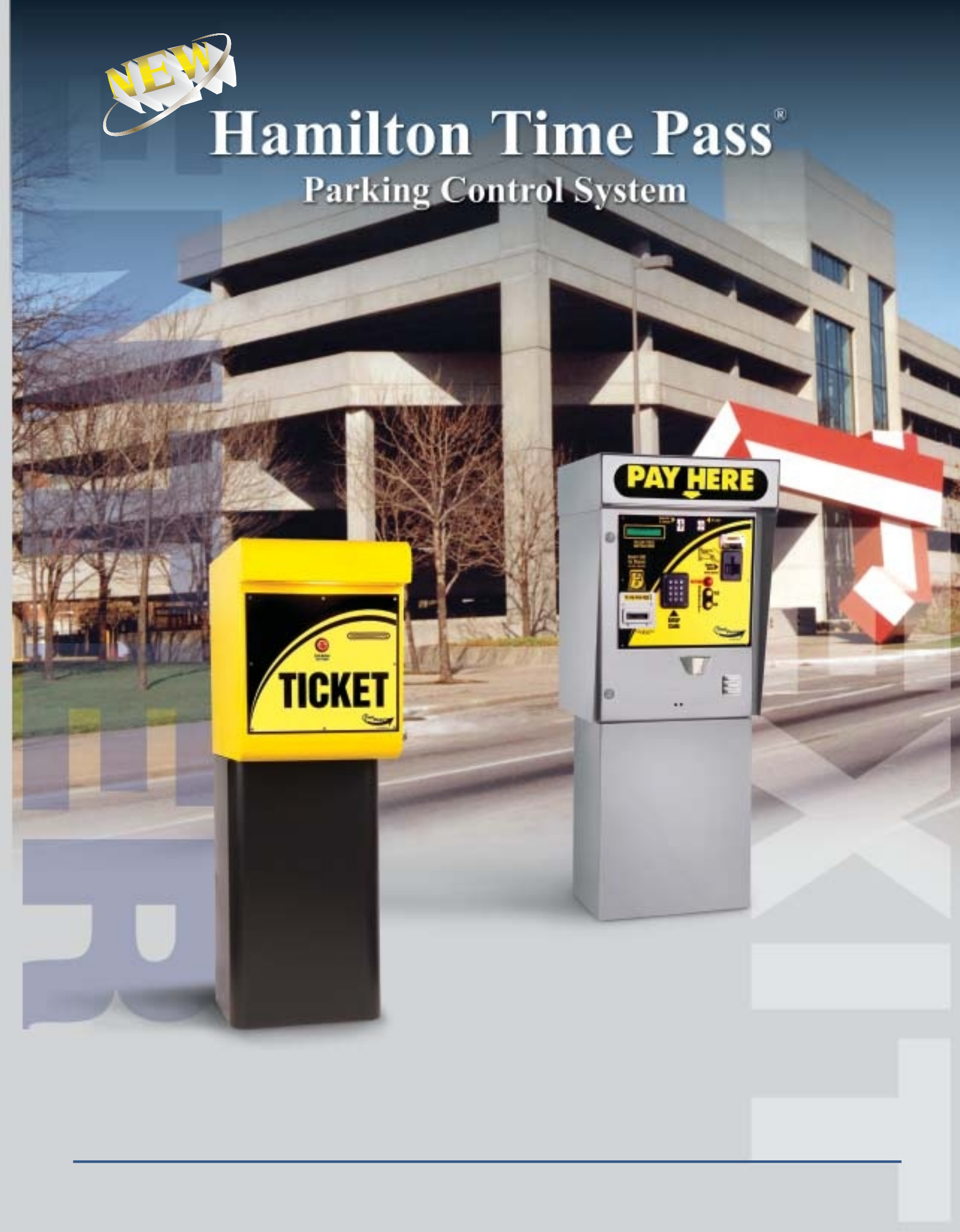
25010 AVENUE TIBBITTS, VALENCIA, CA 91355 (800) 377-4636, (661) 294-0778, www.epsinfo.com

Subject to change without notice.

Document # 5061 Rev. 9/03



Hamilton Time Pass® Parking Control System



The Ticket Dispenser

The Time Pass[®] Ticket Dispenser issues a secure 9 digit encrypted ticket at the entrance of the lot. Ticket dispensing can be triggered by loop sensor, treadle or by simply pressing the button. When the ticket is removed from the machine, the entrance gate is activated. If the ticket is not removed within the programmed amount of time, it is retracted and disposed of within the unit. For quick and easy ticket message programming, the Audit Pro Hand-held is included with the system.

The Ticket Dispenser is an independent unit, making retrofitting an existing lot easy. The Time Pass[®] System allows you to have up to eight Ticket Dispensers and up to eight Autocashiers in any combination.

Features:

- Lighted hood illuminates ticket area at all times of day and night
- Environmental control unit regulates temperature for use in cool or warm weather
- Allows for manual, semi-manual or automatic ticket dispensation
- Audit Pro Hand-held unit for quick and easy set up
- Paper roll can print over 1500 tickets depending on length
- Securely encrypted code ensures accurate code redemption
- Programmable receipt header and up to six additional lines of text
- Optional call help system to allow customers to contact an attendant

Hamilton's New Time Pass[®] Parking Control System

Hamilton's New Time Pass[®] Parking Control System is your ticket to greater profits! Now you can collect parking fees at different rates, any time of day or night. This system is the easiest way to increase revenue and reduce overhead costs. Customers receive a ticket from the Ticket Dispenser at the lot entrance

and pay their fee at the Autocashier upon exiting the lot. It's just that easy!

To sum it up, the Time Pass[®] Parking Control System offers customer convenience, dependability and a reduction of overhead costs making this the most economical system available.



The Autocashier is shown with optional hood and base.

The Autocashier

The Time Pass[®] Parking Autocashier is your automatic parking attendant, working 24 hours a day, seven days a week. The Autocashier, stationed at the exit of the facility, calculates the fee, displays the amount, accepts payment, returns change and operates the exit gate. Fees may be collected via the bill acceptor using cash or Tokenotes[®]; the coin acceptors using coins or tokens; or the credit card acceptor. You can accept up to \$100.00 per credit card transaction. For customers who wish to collect a record of their transaction, a receipt printer is included on the Autocashier.

Features:

- Hamilton XE Bill Acceptor
- Credit Card Acceptor
- Receipt Printer
- Instructional LED Display brightly presents the payment amount
- Programmable clock/calendar
- Automated voice announcements
- Audit Pro Hand-held to program pricing structure
- Stainless steel hopper with \$800 quarter capacity

Options:

- Hamilton STA Bill Acceptor
- CashCode Bill Acceptor (for Canadian Currency)
- Lighted Hood
- Interactive Scrolling Display
- Stainless Steel base (20" for curb mount or 26" for street mount)
- Pedestal Base (20" or 26")